



NESSENSOR

Vibration Sensor

Part No VIB100

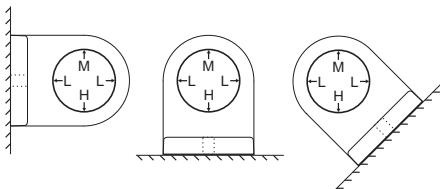
INSTALLATION GUIDE

INSTALLATION

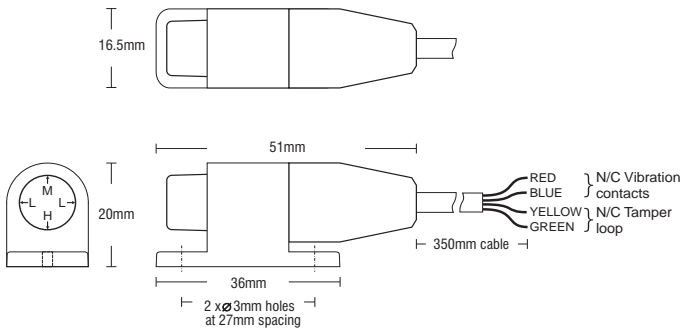
The Nessensor's barrel must always be installed in a horizontal position and the arrow must point up for any required setting.

The Nessensor's mounting bracket has two 3mm diameter mounting holes spaced 27mm apart.

Screw mounting is recommended.



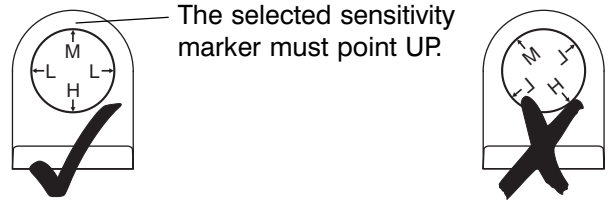
Examples of Nessensor mounted on vertical, horizontal and angled surfaces. In each case Medium sensitivity is selected and the arrow for the selected sensitivity points UP.



ADJUSTMENT

All Ness control panels have zone inputs with adjustable sensitivity. In addition to the control panel's sensitivity adjustment, the overall sensitivity of the Nessensor can be adjusted by rotating the body of the Nessensor within its bracket. Partial withdraw the Nessensor barrel from its mounting bracket to allow rotation.

Three levels of sensitivity are provided - High, Medium and Low.



Note: Two "Low" settings are provided. These are identical.

WIRING

The Nessensor is supplied with a 350mm long flying lead with four wires.

RED & BLUE: Normally closed vibration contacts. Connect to control panel zone input using suitable end of line resistor.

YELLOW & GREEN: Normally closed tamper loop. Connect to a 24hr zone if required.



COMPATIBILITY

Fully compatible with all Ness control panels and most third party vibration analysers.

Ness Nessensor Instruction Sheet
Copyright © 2001 Ness Security Products Pty Ltd



Ness Security Products Pty Ltd
ACN 069 984 372

WWW.NESS.COM.AU



Quality Endorsed Company
ISO9001
LIC No. QEC2074
NSW Head Office only

SYDNEY 02 8825 9222	MELBOURNE 03 9878 1022	BRISBANE 07 3343 7744	PERTH 08 9328 2511
-------------------------------	----------------------------------	---------------------------------	------------------------------

HONG KONG 852 2721 8097	ADELAIDE (Aquavia Controls) 08 8277 7255	NZ (NFS Security) 64 9 573 0401
-----------------------------------	--	---